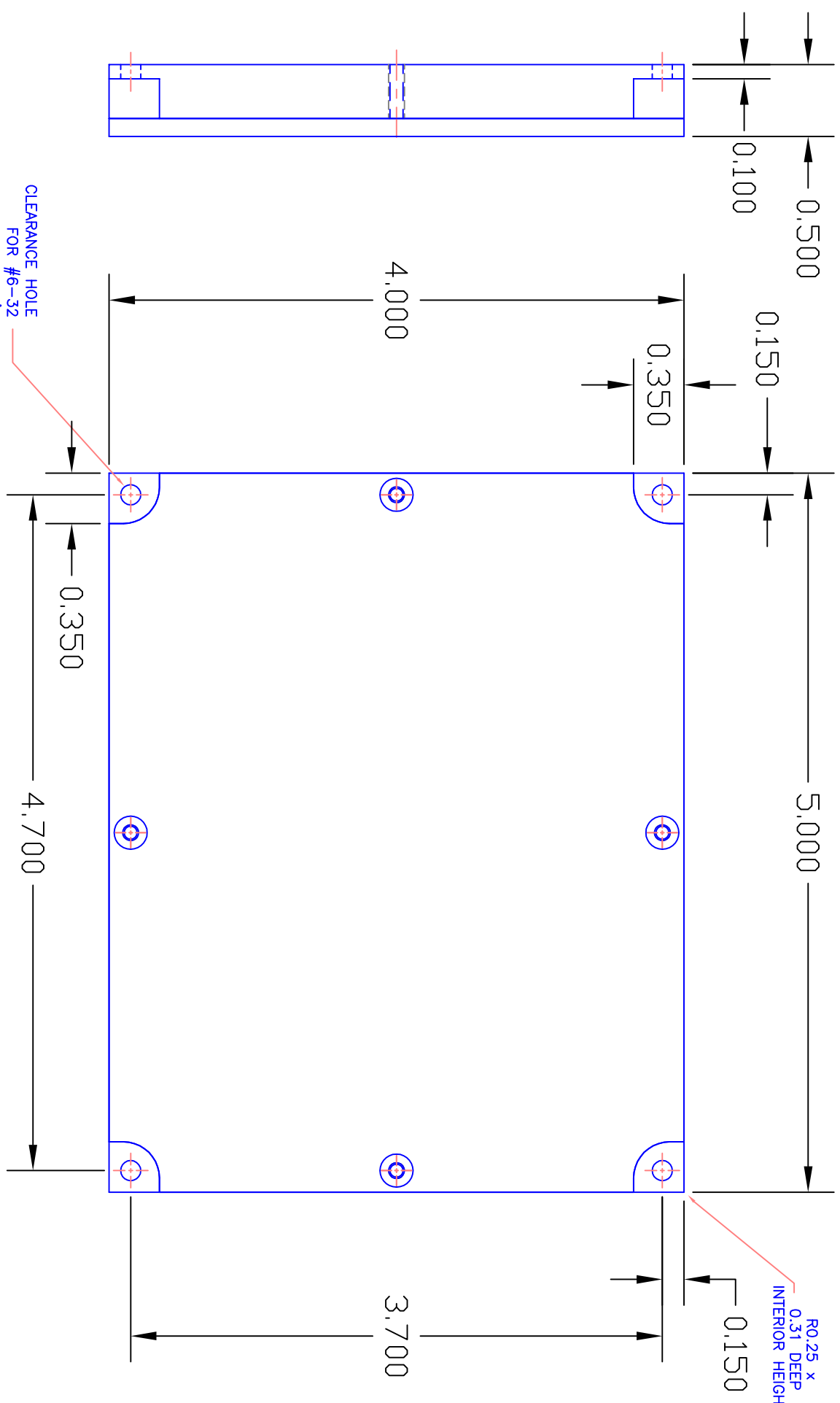


REVISIONS			DATE	APPROVED
REV	DESCRIPTION			



ALL DIMENSIONS ARE IN INCHES. THIRD ANGLE PROJECTION.

Evanescence Optics Inc.

MATERIAL : ALUMINUM 3/8" PLATE		DRAWN:		PART NAME: BOX		REV. 0	
SURFACE QUALITY : STOCK		APPROVED:		PROJECT NAME: 5"x4" PACKAGE		SIZE: A4	
FINISH : STOCK		Q'TY: 1 / ASSY		DWG NO.: BOX		SCALE: 1:1	
				SHEET: 2		OF 2	

NOTES: